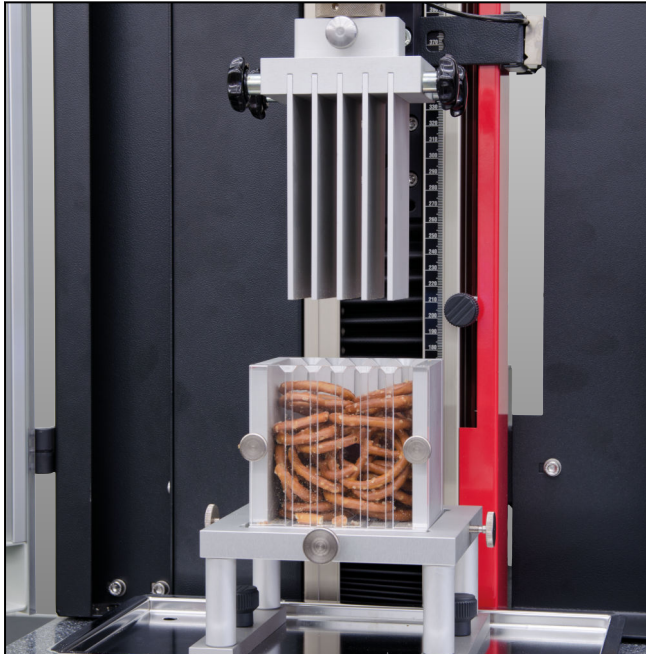


## Product Information

### Kramer shear cell

CTA: 46769 30410



Kramer shear cell

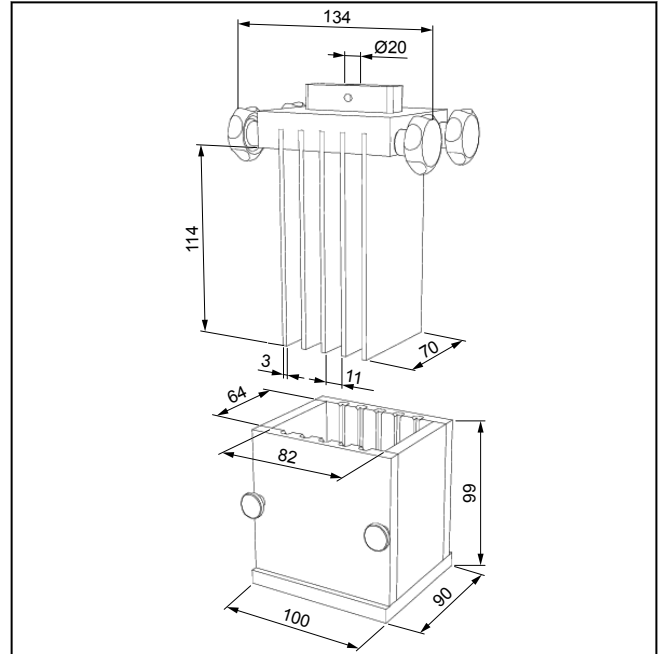
#### Applications

- approximate simulation of a single bite of foodstuffs in small pieces
- determination of the texture properties of fruit and vegetable products, cereals etc, in small pieces
- **Specimen material:**  
fruit, vegetables, cereals, similar materials

The Kramer shear-cell simulates biting small foodstuff pieces.

It consists of upper and lower slotted cells which contain the specimen material, plus a blade-holder with rectangular blades.

The blades pass through the specimen material at constant speed, compressing and cutting it, until it pressed through the floor of the cell. The result obtained



Kramer shear cell, general view

is the force/displacement or force-time curve, which shows how the specimen reacts to chewing motions.

The ejected specimen material is collected on the universal platform.

#### Kramer shear test

The Kramer shear cell was developed in 1959 by Kramer & Twigg and is one of the most commonly used test assemblies in foodstuff testing. It approximately simulates the single first bite of foodstuffs cut into small pieces beforehand.

#### Advantages and features

- The blades enable simultaneous measurement at multiple locations rather than just a single location, evening out local texture variations.

## Product Information

### Kramer shear cell

#### Technical data

| Item No.                            | 014780 <sup>1)</sup>                                     | 014778 <sup>1)</sup>   |        |
|-------------------------------------|--|------------------------|--------|
| Test load, max. (Fmax)              | 1  | 1                      | kN     |
| Blades                              | 10   | 5                      | pieces |
| Dimensions of cell with guide slots |  |                        |        |
| Height                              | 99   | 99                     | mm     |
| Width                               | 100  | 100                    | mm     |
| Depth                               | 90   | 90                     | mm     |
| Dimensions of blade with holder     |  |                        |        |
| Width                               | 134  | mm                     |        |
| Depth                               | 70   | mm                     |        |
| Height of cutting portion           | 148  | mm                     |        |
| Dimensions of blades with holder    |  |                        |        |
| Width                               | 134  | mm                     |        |
| Depth                               | 70   | mm                     |        |
| Height of cutting portion           | 148  | mm                     |        |
| Ambient temperature                 | +10 to +35   | +10 to +35             | °C     |
| Top connection                      | mounting stud, Ø 20 mm                                   | mounting stud, Ø 20 mm |        |
| Bottom connection                   | cell is inserted into the universal platform and aligned |                        |        |

1) Interlocked safety-guard or safety device required.

#### Accessories required

- Universal Specimen Platform (Item No. 085019 )