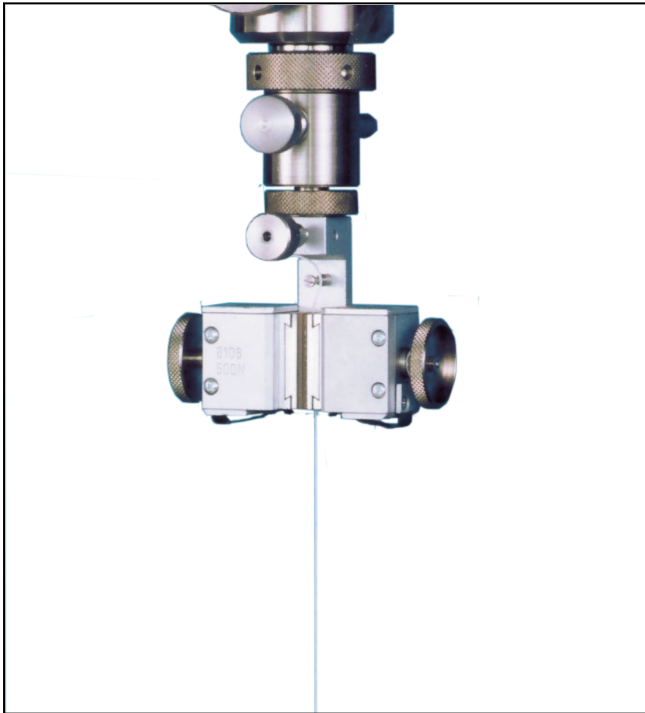


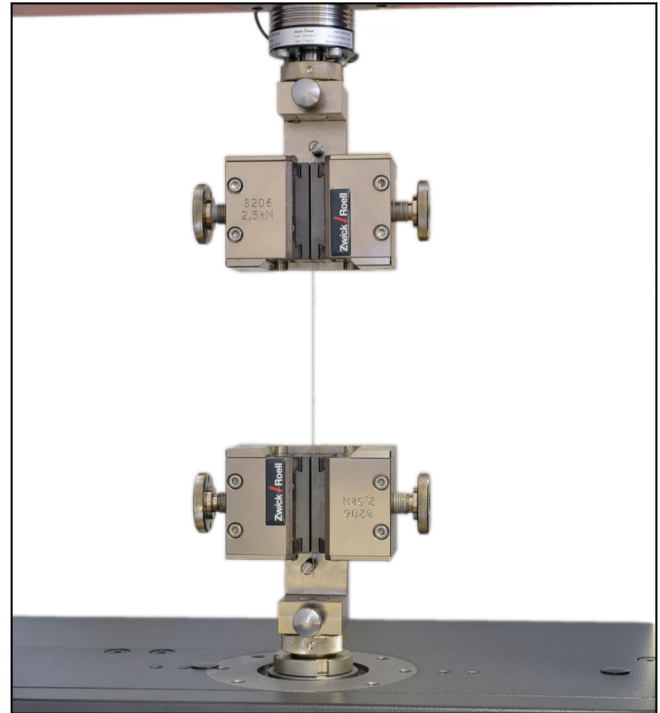
Product Information

Type 8106 wedge screw grips Type 8106 / 8206, Fmax 500 N / 2.5 kN

CTA: 40041 138239



Type 8106 wedge screw grips, Fmax 500 N



Type 8206 wedge screw grips, Fmax 2.5 kN

Applications

- Specimen material:
Metal, plastics, textile
- Specimen shape:
Round specimens (yarn) and flat specimens
- Type of loading
Tensile

Function description

A handwheel is used to open and close the wedge screw grips, as well as apply closing force before the test. Both sides can be adjusted independently of each other.

The gripping force is generated via wedge action. The gripping force is proportional to the tensile force. The ratio is determined via the wedge angle.

Advantages and features

- Because the jaws can be adjusted independently of each other, both symmetrical and asymmetrical specimens can be tested (glued specimen, shear test tensile specimen, etc.).
- The specimen is held securely due to the external high gripping force (approx. 3.5 times tensile force). The jaws are needle bearing and are run with extra flat wedge angle.
- accurate test results combined with a high number of cycles for inserting wires and threads and markings on the jaws for manual specimen centering
- Fast and easy insertion of specimen is enabled due to the ergonomic and open design.
- Sensitive specimens are always gently gripped via large clamping lengths. This prevents jaw breakage.

Product Information

Type 8106 wedge screw grips Type 8106 / 8206, F_{max} 500 N / 2.5 kN

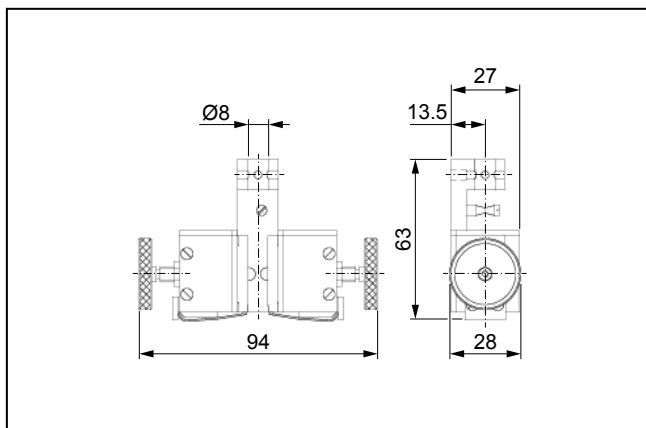
Technical data

Item No.	313284	313398	
Type	8106	8206	
Operating principle/identification	Simple version	Simple version	
Test load F _{max}	0.5	2.5	kN
Dimensions			
Height	63	115	mm
Width	94	152	mm
Depth	28	57	mm
Gripping of the specimen	The specimen must be gripped with at least 1/2 of the jaw height.		
Opening width, max. with jaws	5 ¹⁾	10 ¹⁾	mm
Weight per specimen grip, approx.	200	3	g
Connection, stud	Ø 8	Ø 20	mm
Ambient temperature	-40 ... +250 ²⁾	-40 ... +250 ²⁾	°C
Scope of delivery	2	2	pieces

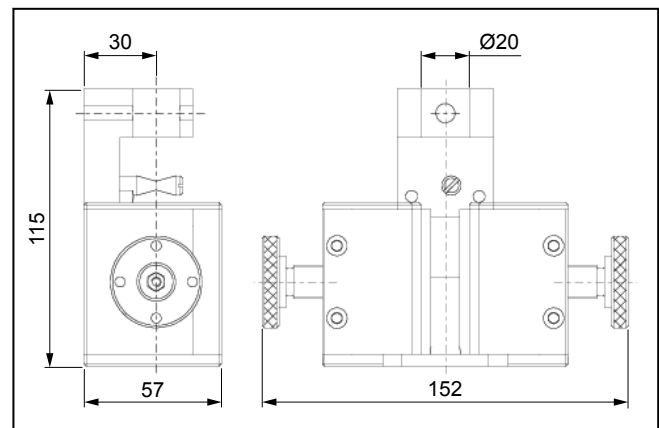
1) For symmetrical gripping

2) The temperature range may be limited by a smaller jaw temperature range.

CTA: 40042 29578



Type 8106 wedge screw grips, F_{max} 500 N: dimensions



Type 8206 wedge screw grips, F_{max} 2.5 kN: dimensions

Product Information

Type 8106 wedge screw grips Type 8106 / 8206, Fmax 500 N / 2.5 kN

Accessories required

Flat jaws

Scope of delivery: 1 set (= 4 pieces)

Application	Version	Gripping area		Ambient temperature [°C]	Hardness	Item No.
		Height [mm]	Width [mm]			
Metal strip specimens	Steel, fsc ¹⁾ 0.4 mm	30	15	-40 ... +250	61 HRC	313286
Yarns, plastic films, soft, notch-sensitive materials	Vulkollan, smooth	30	15	-15 ... +80	95 Shore A	313288
Yarns, plastic films, soft, notch-sensitive materials	Vulkollan, corrugated	30	15	-15 ... +80	95 Shore A	313290
Metal wire, thin metal sheet, tapes	Oxide ceramic, smooth	30	15	-15 ... +80	Knoop 2300 N/mm ²	313292

1) Fsc = fish scale

Flat jaws (1 x required)

Scope of delivery: 1 set (= 4 pieces)

Application	Version	Gripping area		Ambient temperature [°C]	Hardness	Item No.
		Height [mm]	Width [mm]			
Films, strip specimens, notch-sensitive fabrics	Steel, smooth	60	30	-70 ... +250	61 HRC	313864
Wires, plastic bands	Steel, fsc ¹⁾ 0.4	60	30	-70 ... +250	61 HRC	313400
Plastics, sheet metal, softer wires, GFRP strip specimens	Steel, fsc ¹⁾ 0.75	60	30	-70 ... +250	61 HRC	313402
Plastics, wood laminated materials, plywood, sheet metal, wires	Steel, fsc ¹⁾ 1.25	60	30	-70 ... +250	61 HRC	315645
Fabrics, straps, hoses, films	Corrugated steel, R 2.5 / i=8	60	30	-70 ... +250	61 HRC	315647
Softer and notch-sensitive materials, fine fabrics, tapes	Vulkollan, smooth	60	30	-15 ... +80	95 Shore A	313404
Softer and notch-sensitive materials, fine fabrics, tapes	Vulkollan, corrugated	60	30	-15 ... +80	95 Shore A	313956
Hard materials, fixed metal wires/strips, non-metallic straps	Oxide ceramic, smooth	60	30	-70 ... +80	Knoop 2300 N/mm ²	313406
Notch sensitive metal strips, thin sheets, plastic bands	Corundum 240, smooth	60	30	-70... +80	-	313958

1) Fsc = fish scale