

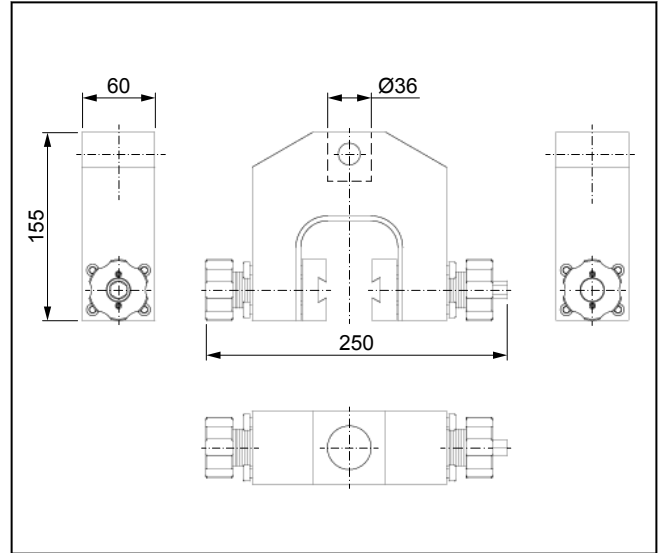
## Product Information

### Screw grips, Type 8355, Fmax 20 kN

CTA: 295845 39450



Screw Grips, Type 8355, Fmax 20 kN



General view of Type 8355 screw grips, Fmax 20 kN

#### Applications

- Specimen material:  
metals, plastics, textiles, wood
- Specimen shape:  
round and flat specimens, asymmetrical specimens, sealed and glued specimens
- Type of loading:  
tensile, compression, alternating load

#### Function description

This screw grip is a one-sided closing specimen grip. A lead screw is used to open and close the grips, as well as apply gripping force before the test.

The opposing jaw of the specimen grip can be adjusted steplessly.

#### Advantages and features

- Adjustable opposing jaw for fast, easy testing, including joined (asymmetrical) specimens
- If the test configuration changes the jaws can be changed quickly and easily - no tools required. The jaws are centered automatically.

- The use of ball bearings enables secure gripping of the specimen even at low operating forces.
- Large opening width enables flexibility in use.
- Reliable specimen gripping guaranteed even with varying applications. Large range of jaws allows optimum matching of the grips to your application.
- The grips are easy to operate in a temperature chamber and reach the test temperature quickly thanks to their very low mass.
- Ergonomic, open design for fast, easy specimen insertion and clamping

#### Screw Grip Type 8355 Special Features

- High temperature resistance (-70 to +250 °C) is ideal for use in temperature chambers.
- Integrated jaw mounting.
- An increased closing force is achieved through the axial bearing in the clamping unit.
- Jaws can be changed without tools. Easy side insertion into specimen grip and centering and fixing of jaws follow automatically.

## Product Information

Screw grips, Type 8355, F<sub>max</sub> 20 kN

### Technical data

Item No.	318591	
Type	8355	
Operating principle/identification	Opposing jaw can be adjusted steplessly	
Test load F <sub>max</sub>	20	kN
Gripping force, at 30 Nm tightening torque	40	kN
Gripping distance	1.5	mm
Dimensions		
Height	155	mm
Width	250	mm
Depth	60	mm
Opening width with jaws, 5 mm thickness	25 <sup>1)</sup>	mm
Gripping of the specimen	The specimen must be gripped with at least 3/4 of the jaw height.	
Specimen dimensions		
Flat specimen, thickness	0 ... 25	mm
Round specimen, Ø	4 ... 10	mm
Weight per specimen grip, approx.	8	kg
Connection, stud	Ø 36	mm
Ambient temperature	-70 ... +250 <sup>2)</sup>	°C
Scope of delivery	2	pieces

1) This opening width is the result of using jaws with 5 mm jaw strength.

2) The ambient temperature may be limited by a smaller jaw temperature range.

### Accessories required

#### Jaws required for Type 8355:

Type 8487 jaws